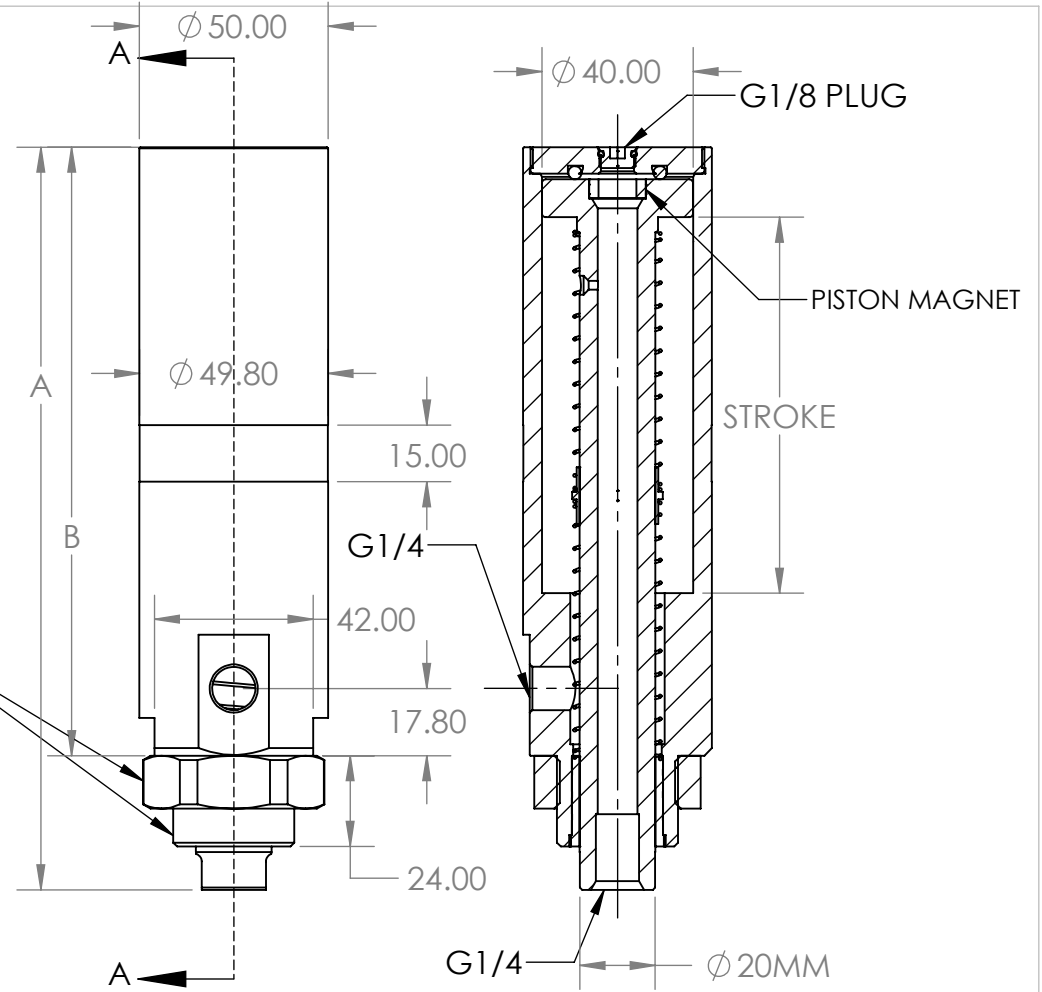


VC40XXX

PISTON DIAMETER = 40MM
 3 CHOICES OF STROKE.
 NON-ROTATION OPTIONAL

M32X1.5
 MOUNTING
 THREAD WITH
 NUT



| PART NO. | PISTON DIA. & STROKE | A | B |
|----------------------|----------------------|---------|-------|
| VC40100 VC40100NR | 40MM & 100MM | 196.5MM | 161MM |
| VC40150 VC40150NR | 40MM & 150MM | 257.5MM | 222MM |
| VC40200 VC40200NR | 40MM & 200MM | 323.5MM | 288MM |

MACK AUTOMATION, LLC FLAGSTAFF, AZ

SCALE 1/2 DR. DATE APPVD. DATE TOOLING REFERENCE NO.

| | | |
|---|----------|-----|
| PART NAME | PART NO. | REV |
| AUTOMATIC RETURN VACUUM CYLINDER SERIES VC40 | VC40XXX | A |